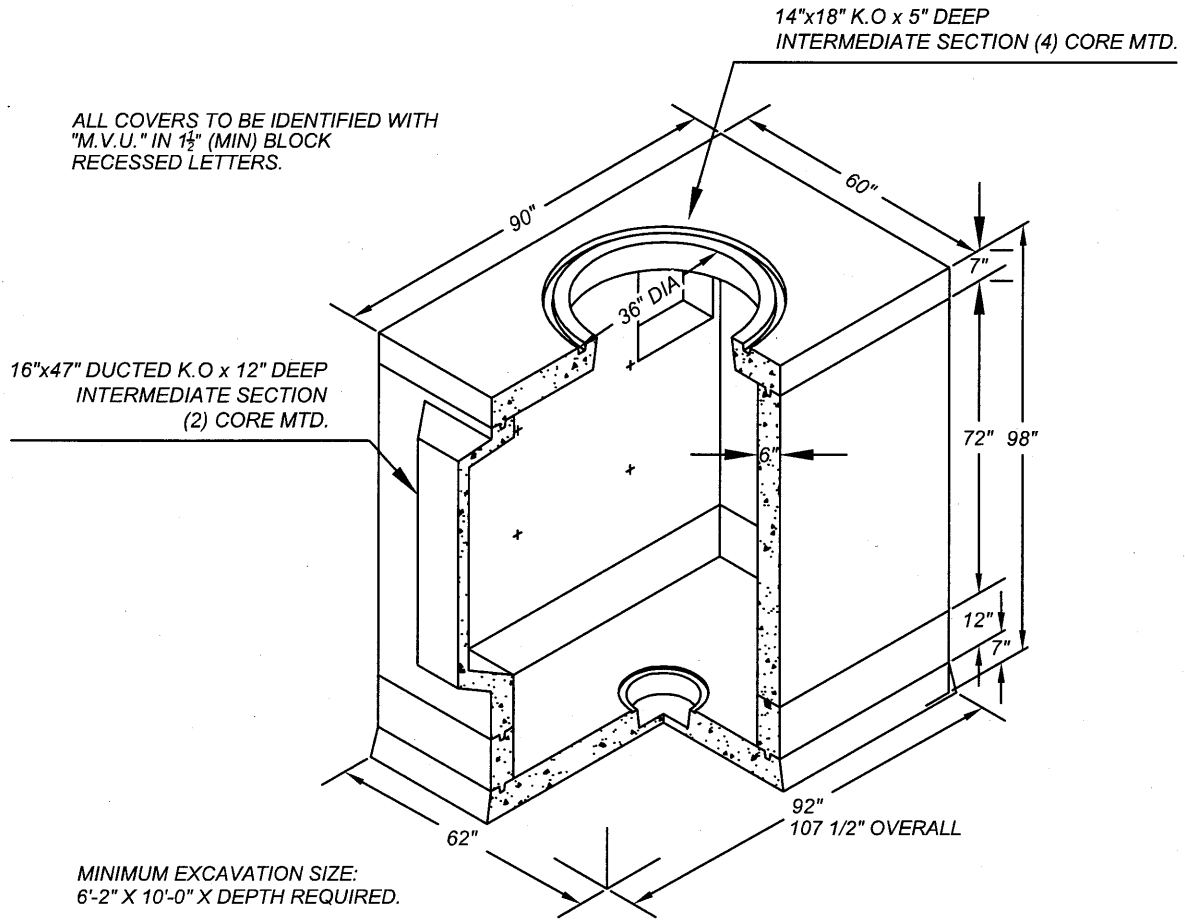


MORENO VALLEY STANDARD No MVEU-728B-0



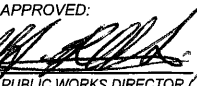
4' x 6'-6" x 7' MANHOLE



NOTES:

1. MANHOLE DESIGNED IN ACCORDANCE WITH AASHTO H-20-44 TRAFFIC BRIDGE LOADING USING 5,500 PSI CONCRETE COMPRESSIVE STRENGTH AND 60,000 PSI YIELD STRENGTH ASTM A-706 STEEL REINFORCEMENT.
2. MANHOLE TO BE PLACED ON A MIN. 6" CRUSHER RUN FOR EASE OF INSTALLATION AND EVEN LOAD DISTRIBUTION.
3. LIMIT OF COVER OVER TOP SECTION IS 1'-6" TO 4'-0".
4. 13" DIA x 14" DIA SUMP x 5" DEEP WITH RECESS, LOCATE AS FOLLOWS: BASE SLAB (1) TABLE MTD.
5. INSIDE WALL AND CEILING TO BE PAINTED WHITE.
6. TAMP EXCAVATION FLOOR.
7. ADJUST TO GRADE WITH GRADE RINGS.
8. PRIMARY GROUND HALO TO BE #4 /O BC AND ATTACHED TO ALL GROUND INSERTS.

NOT TO SCALE

	RECOMMENDED: 	12-27-16 DATE	<h2 style="margin: 0;">CITY OF MORENO VALLEY</h2> <p style="margin: 0;">PUBLIC WORKS DEPARTMENT - ELECTRIC UTILITY DIVISION</p>
	DIVISION MANAGER		
	APPROVED: 	1/20/17 DATE	<h3 style="margin: 0;">MANHOLE</h3> <h3 style="margin: 0;">4' x 6'-6" x 7'</h3>
	PUBLIC WORKS DIRECTOR / CITY ENGINEER		STANDARD PLAN <h3 style="margin: 0;">MVEU-728B-0</h3> SHEET 2 OF 2