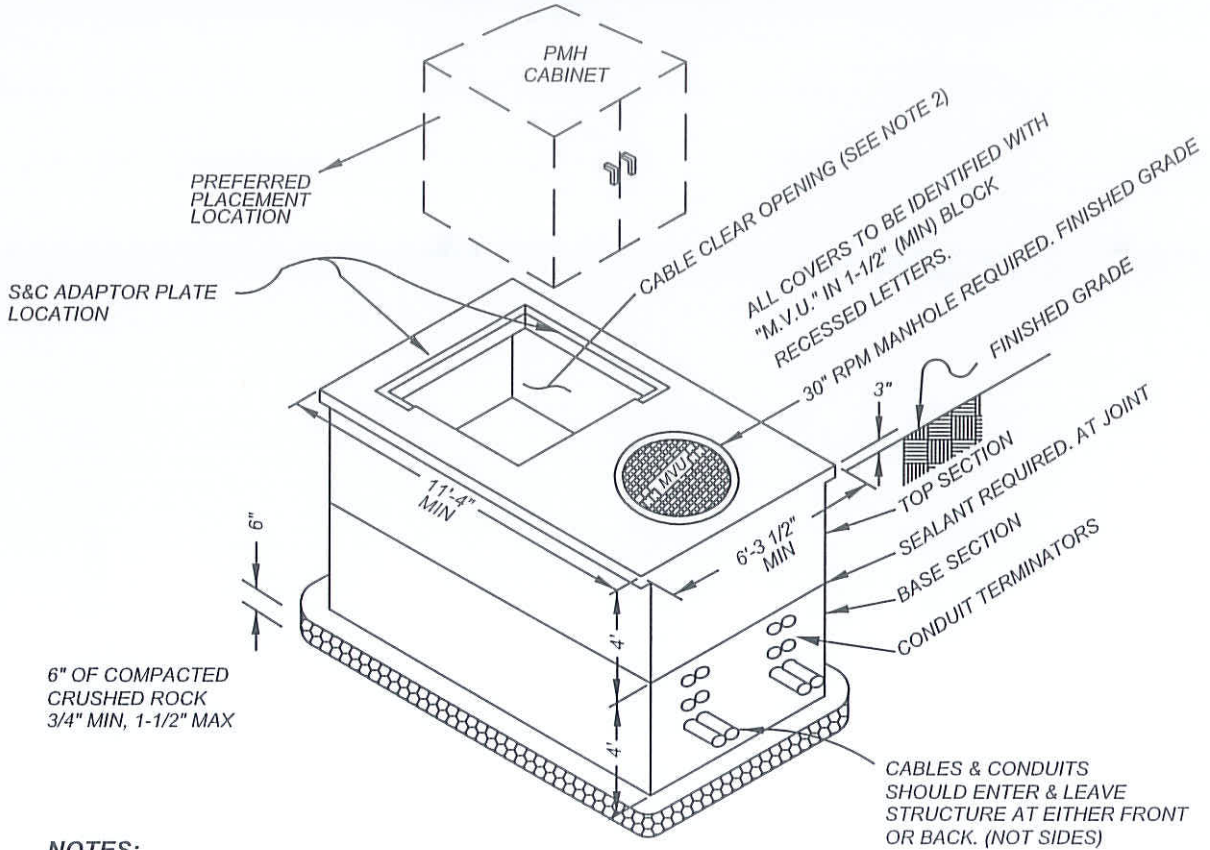



MORENO VALLEY STANDARD NO. MVEU-718-0  
**PMH TUB-STYLE CONCRETE ENCLOSURE**  
**5' x 10'-6" x 7'**  
**(PMH-6 THRU PMH-14)**



**NOTES:**

1. TOP & BOTTOM SECTIONS PROVIDED WITH GROUNDING INSERTS.
2. CABLE CLEAR OPENING SHALL BE COVERED WITH AN ELECTRICAL-APPROVED COVER AT THE TIME OF STRUCTURE PLACEMENT.
3. KEEP BARRIER PLATES BANDED AND PLACE IN BOTTOM OF BASE SECTION.
4. BACKFILL AROUND THE STRUCTURE SHALL BE WITH A MINIMUM OF ONE SACK PER YARD SAND CEMENT SLURRY TO WITHIN ONE FOOT OF FINISHED GRADE. THE SURFACE ELEVATION OF THE SLURRY SHALL NOT VARY MORE THAN 1'-0" AROUND THE PERIMETER OF THE STRUCTURE AS IT IS BEING PLACED.
5. 8' UNOBSTRUCTED FLAT WORKING CLEARANCE IS REQUIRED AT DOOR SIDES OF CABINET. (MEASURED FROM EDGE OF PAD)
6. 3' UNOBSTRUCTED CLEARANCE IS REQUIRED AT NON-DOOR SIDES OF CABINET. (MEASURED FROM EDGE OF PAD)
7. MINIMUM EXCAVATION PER MANUFACTURER'S RECOMMENDATIONS.
8. REFER TO STDS MVEU-722-0 & MVEU-723-0 FOR ADDITIONAL DETAILS.
9. ENCLOSURE TO BE INSTALLED WITH PRIMARY GROUND ASSEMBLY.
10. ENCLOSURE TO BE INSTALLED WITH CABLE RACK ASSEMBLY.
11. PRIMARY GROUND HALO TO BE #4 /O BC AND ATTACHED TO ALL GROUND INSERTS.

NOT TO SCALE

	RECOMMENDED: <i>[Signature]</i> 1-15-14 DIVISION MANAGER      DATE	<b>CITY OF MORENO VALLEY</b> PUBLIC WORKS DEPARTMENT - ELECTRIC UTILITY DIVISION	STANDARD PLAN
	APPROVED: <i>[Signature]</i> 1/29/14 PUBLIC WORKS DIRECTOR / DATE CITY ENGINEER		<b>PAD MOUNTED SWITCH ENCLOSURE DETAIL</b> <b>5' x 10'-6" x 7'</b>
			SHEET 1 OF 1