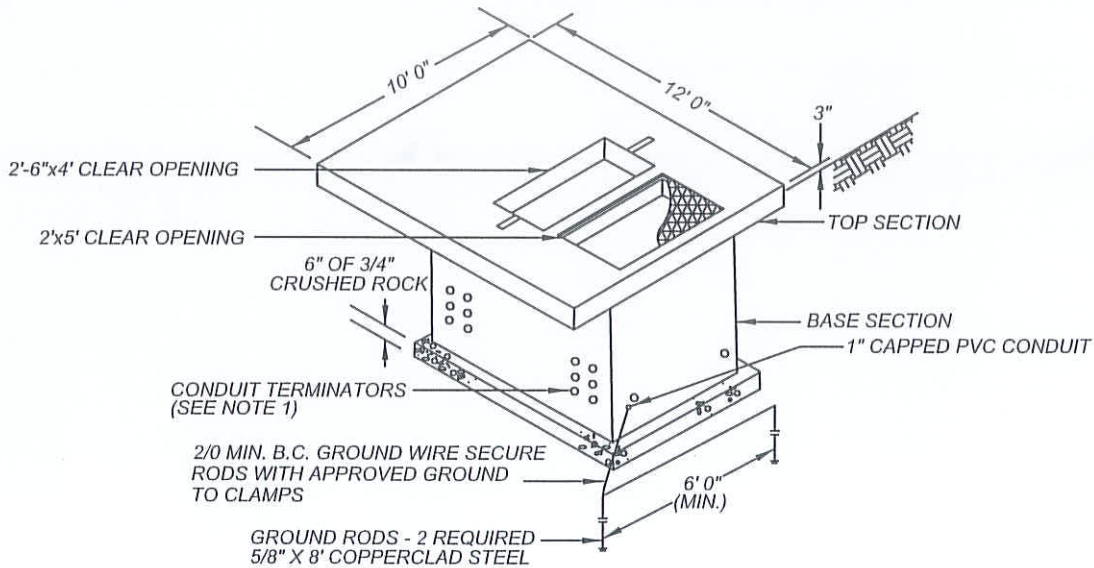


MORENO VALLEY STANDARD NO. MVEU-716-0

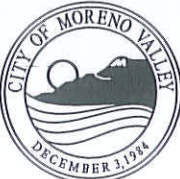
**10' x 12' PAD WITH
5'-10" x 9'-4" x 5'-7" BOX FOR
1500kVA - 2500 kVA PAD MOUNTED TRANSFORMERS**



NOTES:

1. CONDUIT TERMINATORS TO BE LOCATED AS SHOWN. STANDARD CONDUIT ENTRANCE SHALL BE A FLATWALL DESIGN. SLIGHT VARIATIONS BY MANUFACTURERS MAY BE ALLOWED WITH CITY APPROVAL.
2. WHEN CABLE TRENCH OPENINGS ARE REQUIRED IN A SLAB BOX, THEY CAN BE SPECIAL ORDERED FROM THE CONCRETE PRECASTER.
3. CONSULT MANUFACTURER'S INSTALLATION GUIDES FOR EXCAVATION DIMENSIONS.
4. AN EIGHT FOOT MINIMUM CLEARANCE IS REQUIRED DIRECTLY IN FRONT OF TRANSFORMER FOR OPERATION.
5. GROUND RODS, CLAMPS, AND WIRE WILL BE FURNISHED BY CONTRACTOR. GROUND WIRE TO BE A MINIMUM OF 2/0 BARE COPPER. GROUND WIRE TO BE PLACED THROUGH ONE-INCH PVC CONDUIT AT EITHER END OF SLAB BOX. A MINIMUM THREE-FOOT LENGTH OF GROUND WIRE SHALL BE PLACED IN SLAB BOX.
6. MASTIC SEALANT REQUIRED AT JOINTS AND GAPS AROUND TRANSFORMER ENCLOSURE.
7. TOP SURFACE OF SLAB BOX SHALL BE SET THREE INCHES ABOVE FINISHED GRADE.
8. 8' UNOBSTRUCTED FLAT WORKING CLEARANCE IS REQUIRED AT FRONT OF PAD. (MEASURED FROM EDGE OF PAD)
9. 3' UNOBSTRUCTED CLEARANCE IS REQUIRED AT BACK OF PAD. (MEASURED FORM EDGE OF PAD)
10. 3' CLEARANCE IS REQUIRED ON BOTH SIDES OF PAD. (MEASURED FROM EDGE OF PAD)
11. REFER TO STDS MVEU-722-0 & MVEU-723-0 FOR ADDITIONAL DETAILS.

NOT TO SCALE

	RECOMMENDED: <i>[Signature]</i> 1-15-14 DIVISION MANAGER DATE	CITY OF MORENO VALLEY PUBLIC WORKS DEPARTMENT - ELECTRIC UTILITY DIVISION	
	APPROVED: <i>[Signature]</i> 1/29/14 PUBLIC WORKS DIRECTOR / DATE CITY ENGINEER	10' x 12' PAD WITH BOX FOR 1500kVA - 2500kVA PAD MOUNTED TRANSFORMERS	