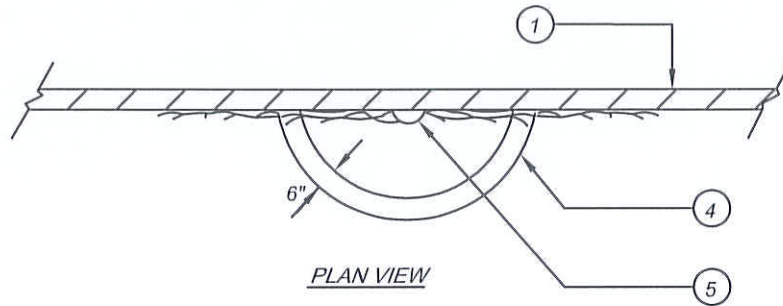


ELEVATION

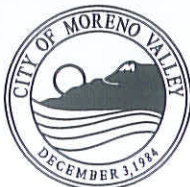


PLAN VIEW

LEGEND:

- ① WALL
- ② FINISH GRADE
- ③ ADHESIVE VINE SUPPORTS
- ④ 6" x 8" CONCRETE VINE COLLARS IN TURF AREAS ONLY. INSIDE RADIUS OF COLLAR TO BE TWO TIMES THE DIAMETER OF ROOTBALL MINIMUM (#4 REBAR REQUIRED)
- ⑤ ANGLE BACK TO WALL TRUNK OF VINE, AND REMOVE STAKE WHILE SECURING VINE TO SUPPORTS

NOT TO SCALE



RECOMMENDED:
 1/21/14
 DIVISION MANAGER DATE

APPROVED:
 1/29/14
 PUBLIC WORKS DIRECTOR / DATE
 CITY ENGINEER

CITY OF MORENO VALLEY

PARKS AND COMMUNITY SERVICES DEPARTMENT

**VINE DETAIL
 ADHERING TYPE**

STANDARD PLAN
MVLI-503B-0

SHEET 2 OF 2