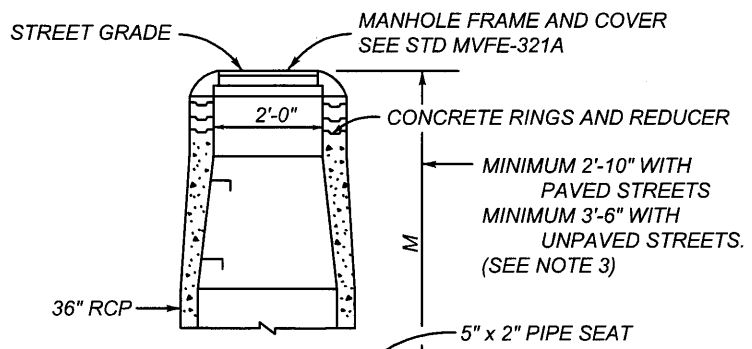
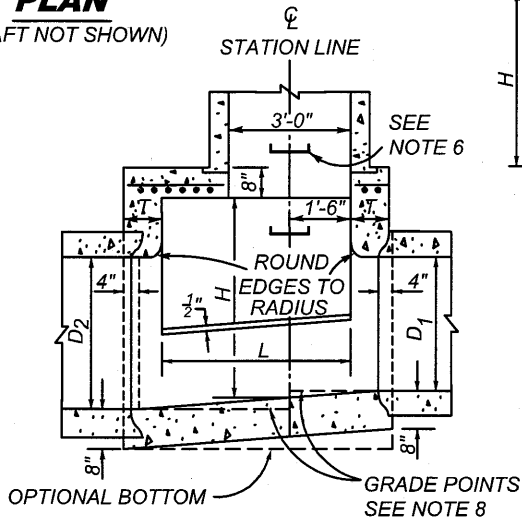


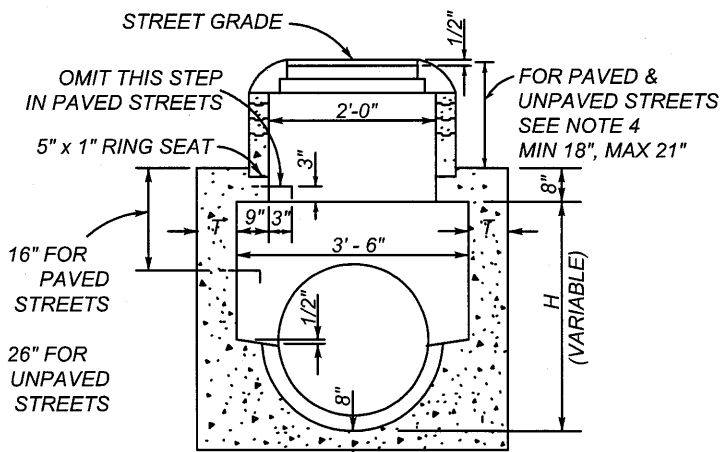
PLAN
(SHAFT NOT SHOWN)



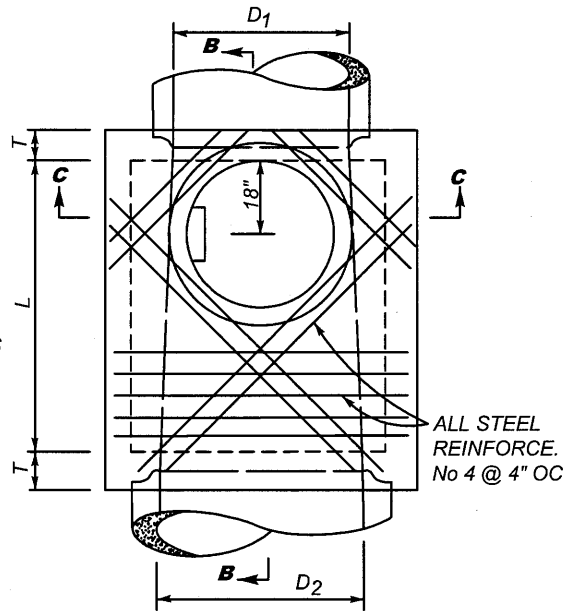
SECTION A-A



SECTION B-B



SECTION C-C



DETAIL N PLAN
(SHAFT NOT SHOWN, SEE NOTE 3)

NOT TO SCALE

	RECOMMENDED: <i>[Signature]</i> DIVISION MANAGER DATE: 1-6-17	<h1>CITY OF MORENO VALLEY</h1> <p>PUBLIC WORKS DEPARTMENT - CAPITAL PROJECTS DIVISION</p> <h2>MANHOLE</h2>	STANDARD PLAN MVFE-320A-0
	APPROVED: <i>[Signature]</i> PUBLIC WORKS DIRECTOR / DATE: 1/20/17 CITY ENGINEER		SHEET 1 OF 3