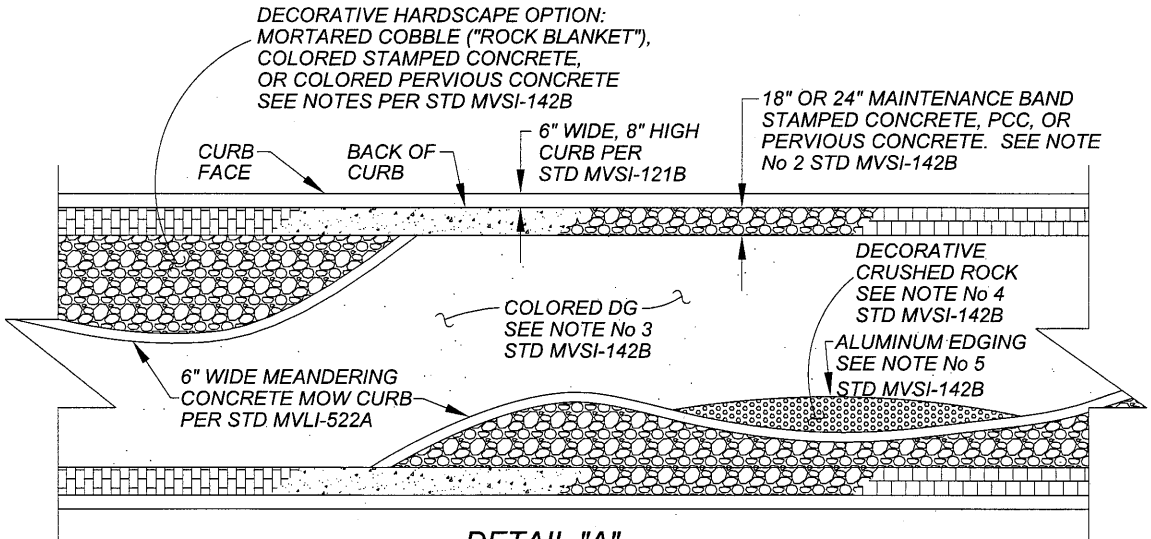
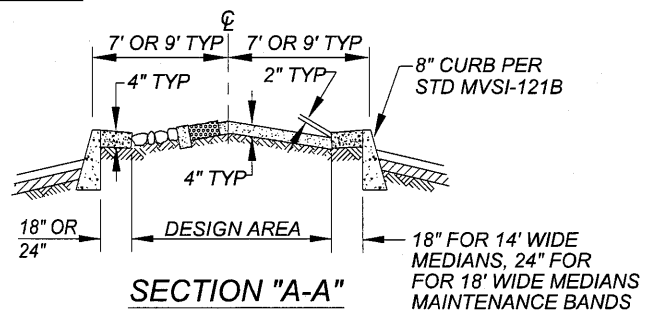


**TYPICAL LAYOUT / MEDIAN HARDSCAPE DESIGN**



**DETAIL "A"**



**SECTION "A-A"**

NOTE: See MVSI-142B-1 FOR MEDIAN HARDSCAPE NOTES

NOT TO SCALE

	RECOMMENDED:  1-6-17 DIVISION MANAGER DATE	<b>CITY OF MORENO VALLEY</b> PUBLIC WORKS DEPARTMENT - CAPITAL PROJECTS DIVISION	STANDARD PLAN <b>MVSI-142A-1</b>
	APPROVED:  1/20/17 PUBLIC WORKS DIRECTOR / DATE CITY ENGINEER		
			SHEET 1 OF 2

REVISION 1: STD REVISED TO INCLUDE A MEANDERING DESIGN