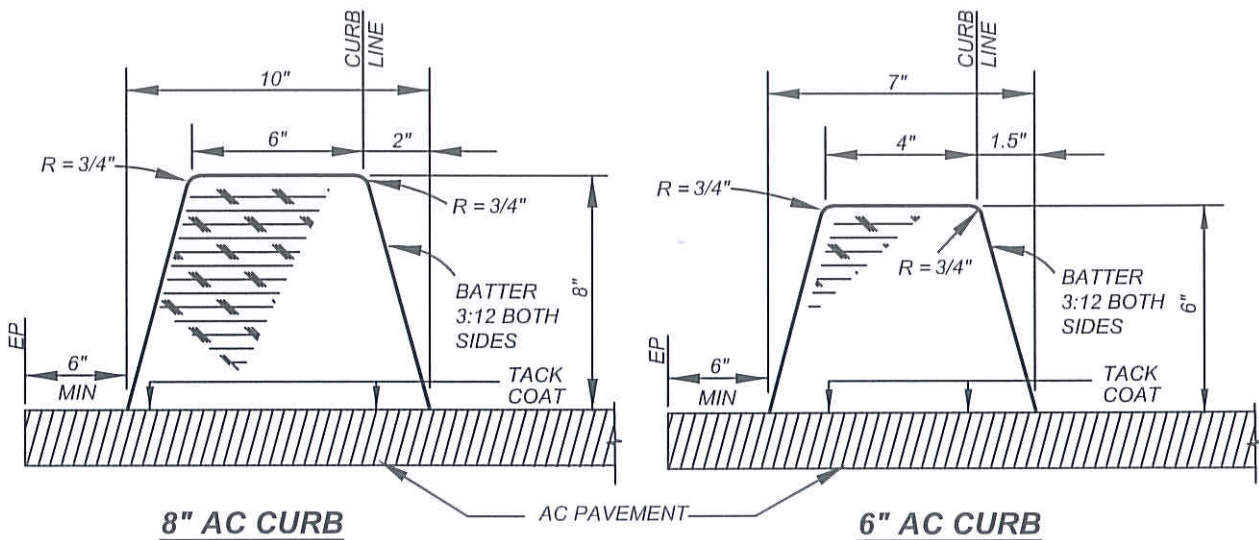


SEE STD MVS-131-0 FOR PAVEMENT JOIN

PAVED SHOULDER WITH AC CURB





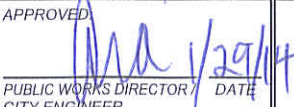
8" AC CURB

6" AC CURB

NOTES:

- 1.) THE ASPHALT CONCRETE MIXTURE SHALL BE TYPE III D-PG 70-10 WITH A MINIMUM ASPHALT BINDER OF 5.8 PERCENT.
- 2.) PRIOR TO PLACEMENT, A TACK COAT SHALL BE APPLIED TO THE EXISTING SURFACE. TACK COAT SHALL BE PG 64-10 AT AN APPROXIMATE RATE OF 0.05 GALLON PER SQUARE YARD OR GRADE SS-1h EMULSIFIED ASPHALT AT AN APPROXIMATE RATE OF 0.05 TO 0.10 GALLON PER SQUARE YARD.
- 3.) THE TEMPERATURE OF THE MIX AT THE TIME OF PLACEMENT SHALL NOT BE LESS THAN 250°F OR MORE THAN 285° F.
- 4.) ALL EXTRUDERS AND SHOES SHALL BE APPROVED BY THE CITY ENGINEER.
- 5.) USE CASE A BACKFILL UNLESS NOTED OTHERWISE.

NOT TO SCALE

 <p>CITY OF MORENO VALLEY DECEMBER 3, 1984</p>	RECOMMENDED:  DIVISION MANAGER 1/21/14 DATE	<h2 style="margin: 0;">CITY OF MORENO VALLEY</h2> <p style="margin: 0;">PUBLIC WORKS DEPARTMENT - CAPITAL PROJECTS DIVISION</p>	STANDARD PLAN <h3 style="margin: 0;">MVS-124-0</h3>
	APPROVED:  PUBLIC WORKS DIRECTOR / CITY ENGINEER 1/29/14 DATE	<h2 style="margin: 0;">ASPHALT CONCRETE CURB</h2>	SHEET 1 OF 1