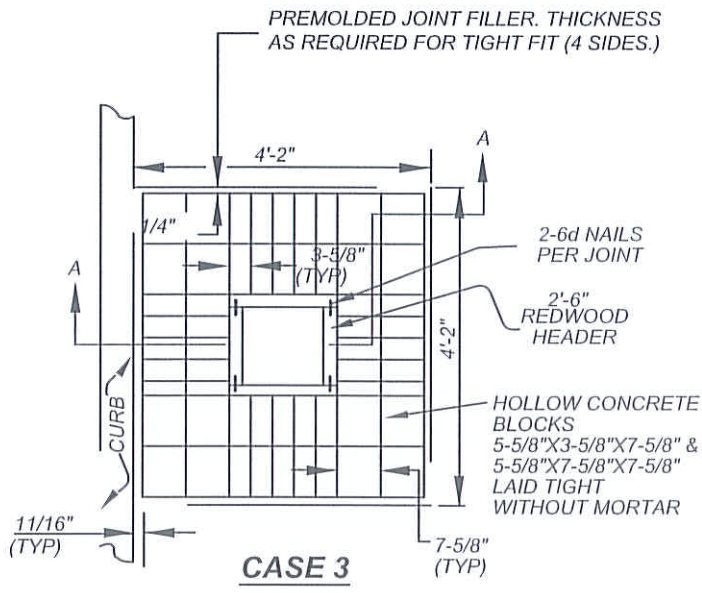
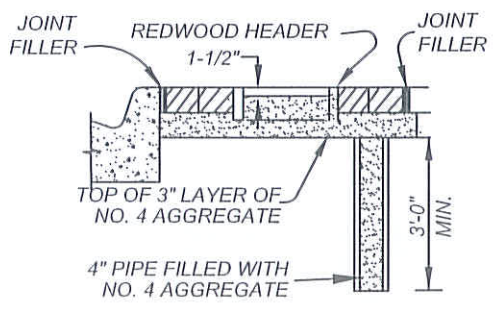


CASE 1

CASE 2

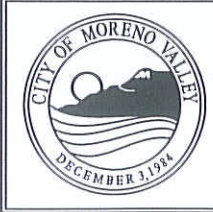


CASE 3



SECTION "A-A"

NOT TO SCALE



RECOMMENDED: *CS* 1/4/14
 DIVISION MANAGER DATE
 APPROVED: *[Signature]* 1/29/14
 PUBLIC WORKS DIRECTOR / DATE
 CITY ENGINEER

CITY OF MORENO VALLEY
 FINANCIAL & MANAGEMENT SERVICES DEPARTMENT - SPECIAL DISTRICTS DIVISION

TREE WELL - TYPE 2

STANDARD PLAN
MVSI-118B-0
 SHEET 2 OF 5